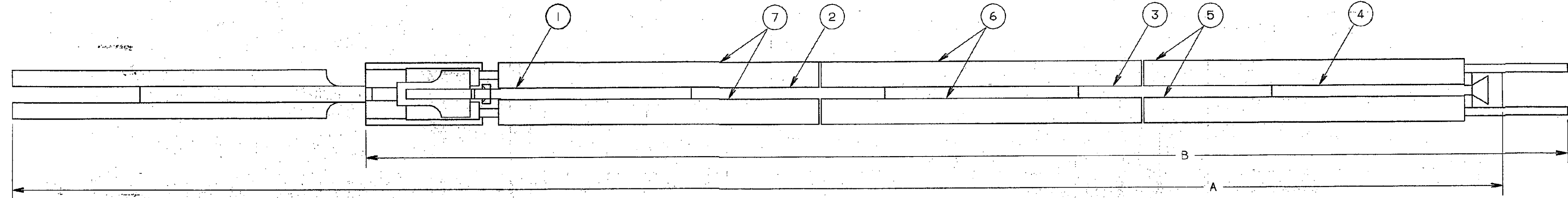
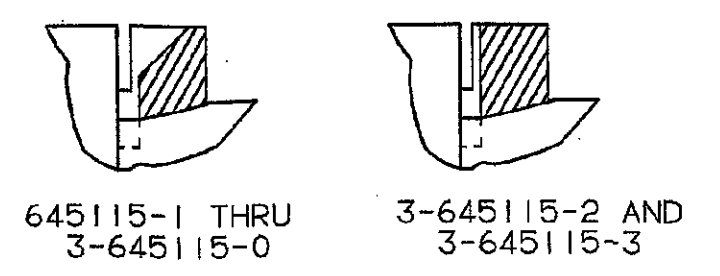
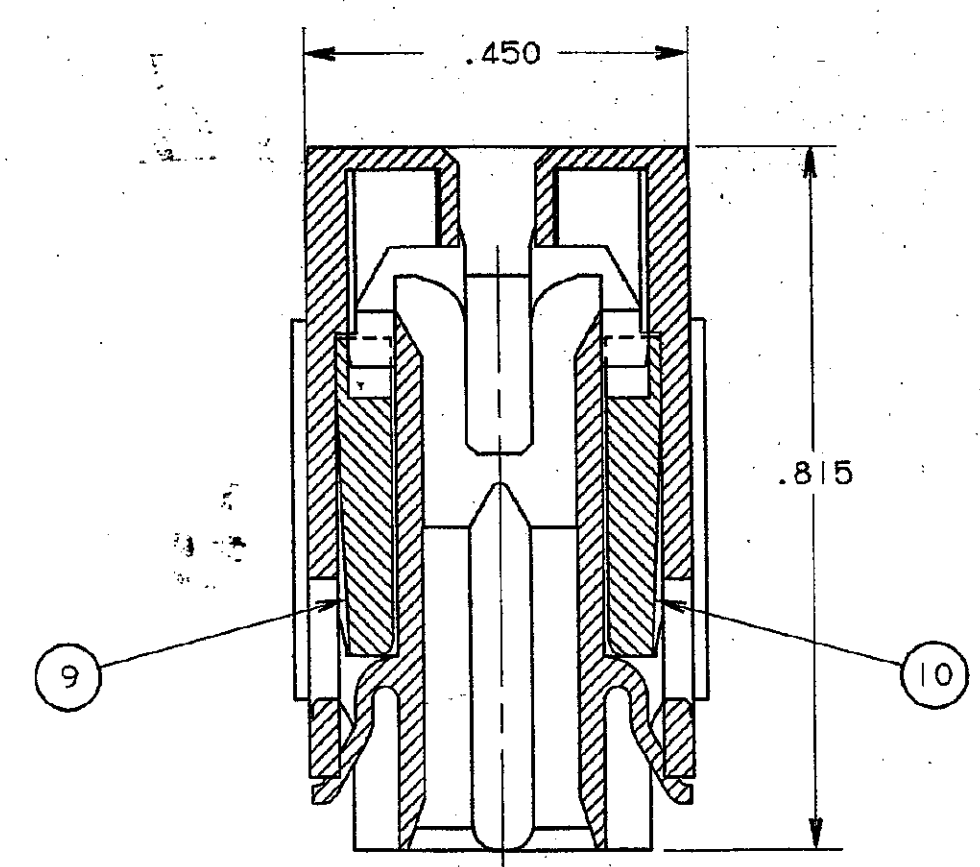
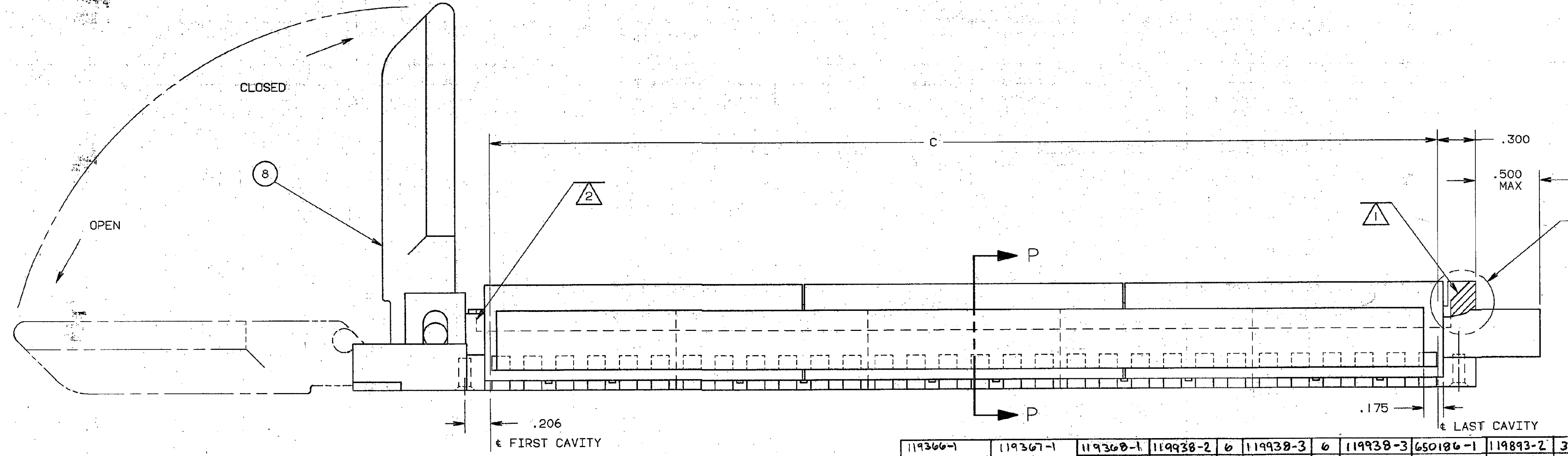


DRAWING MADE IN THIRD ANGLE PROJECTION
 THIS DRAWING IS UNPUBLISHED. RELEASED FOR PUBLICATION. PUB DATE 19
 © COPYRIGHT 1978 BY AMP INCORPORATED, HARRISBURG, PA. ALL INTERNATIONAL RIGHTS RESERVED. AMP PRODUCTS MAY BE COVERED BY U.S. AND FOREIGN PATENTS AND/OR PATENTS PENDING

| LOC | | DIST | | REVISONS | | CAD/CADAM | | |
|-----|----|------|---|----------|-----|--------------------------|---------|------|
| FT | 22 | P | F | ZONE | LTR | DESCRIPTION | DATE | APPR |
| | | P | | | | REV PER 0010-0865-96 | 4-15-82 | EB |
| | | R | | | | REVISED PER 0010-1573-95 | 6-3-96 | EB |
| | | S | | | | REVISED PER 0010-0802-96 | 6-3-96 | EB |
| | | T | | | | REACTIVATED 10-21-23-25 | 7-28-97 | DW |
| | | U | | | | REV PER EC 0320-245-97 | | |
| | | | | | | REACTIVATED -33 | 8-1-97 | DW |
| | | | | | | PER EC 0320-259-97 | | |



1. CLOSED END OF HOUSING, CARD STOP.
 2. OPEN END OF HOUSING, CARD ENTRY.
 3. FOR PROPER ASSEMBLY, SEE APPLICATION SPEC 114-26003.



| | 119366-1 | 119367-1 | 119368-1 | 119368-2 | 6 | 119368-3 | 6 | 119368-3 | 650186-1 | 119893-2 | 3 | 119893-1 | 2 | 119895-3 | 15.900 | 17.775 | 14.613 | 160 | 3-645115-3 |
|----------|----------|----------|----------|----------|---|----------|----------|----------|----------|----------|---|----------|---|----------|--------|--------|--------|-----|------------|
| | | | 119368-1 | 119368-2 | 2 | 119368-3 | 4 | 119368-4 | 650186-1 | 119893-1 | 2 | 119893-2 | 1 | 119895-3 | 10.900 | 12.775 | 14.613 | 110 | 3-645115-2 |
| | | | 119368-1 | 119368-2 | 2 | 119368-3 | 10 | 119368-4 | 119894-3 | 119893-2 | 5 | | | 119895-3 | 17.400 | 19.275 | 21.113 | 175 | 3-645115-0 |
| OBSOLETE | | | 119368-1 | 119368-2 | 6 | 119368-3 | 6 | 119368-4 | 119894-2 | 119893-2 | 3 | 119893-1 | 2 | 119895-3 | 15.900 | 17.775 | 19.613 | 160 | 2-645115-7 |
| | | | 119368-1 | 119368-2 | 2 | 119368-3 | 8 | 119368-4 | 119894-3 | 119893-2 | 4 | | | 119895-3 | 14.900 | 16.775 | 18.613 | 150 | 2-645115-5 |
| OBSOLETE | | | 119368-1 | 119368-2 | 4 | 119368-3 | 6 | 119368-4 | 119894-3 | 119893-2 | 3 | 119893-1 | 1 | 119895-3 | 14.400 | 16.275 | 18.113 | 145 | 2-645115-4 |
| OBS. | | | 119368-1 | 119368-2 | 6 | 119368-3 | 4 | 119368-4 | 119894-3 | 119893-2 | 2 | 119893-1 | 2 | 119895-3 | 13.900 | 15.775 | 17.613 | 140 | 2-645115-3 |
| | | | 119368-1 | 119368-2 | 6 | 119368-3 | 4 | 119368-4 | 119894-2 | 119893-2 | 2 | 119893-1 | 2 | 119895-3 | 13.400 | 15.275 | 17.113 | 135 | 2-645115-2 |
| OBS. | | | 119368-1 | 119368-2 | 2 | 119368-3 | 6 | 119368-4 | 119894-4 | 119893-2 | 3 | | | 119895-3 | 12.900 | 14.775 | 16.613 | 130 | 2-645115-1 |
| | | | 119368-1 | 119368-2 | 2 | 119368-3 | 6 | 119368-4 | 119894-3 | 119893-2 | 3 | | | 119895-3 | 12.400 | 14.275 | 16.113 | 125 | 2-645115-0 |
| OBS. | | | 119368-1 | 119368-2 | 4 | 119368-3 | 4 | 119368-4 | 119894-3 | 119893-2 | 2 | 119893-1 | 1 | 119895-3 | 11.900 | 13.725 | 15.613 | 120 | 1-645115-9 |
| | | | 119368-1 | 119368-2 | 6 | 119368-3 | | 119368-4 | 119894-4 | | | 119893-1 | 3 | 119895-3 | 11.400 | 13.275 | 15.113 | 115 | 1-645115-8 |
| OBS. | | | 119368-1 | 119368-2 | 2 | 119368-3 | 4 | 119368-4 | 119894-3 | | | 119893-1 | 3 | 119895-3 | 10.900 | 12.775 | 14.613 | 110 | 1-645115-7 |
| | | | 119368-1 | 119368-2 | 2 | 119368-3 | 4 | 119368-4 | 119894-4 | 119893-2 | 2 | | | 119895-3 | 10.400 | 12.275 | 14.113 | 105 | 1-645115-6 |
| OBS. | | | 119368-1 | 119368-2 | 2 | 119368-3 | 4 | 119368-4 | 119894-3 | 119893-2 | 2 | | | 119895-3 | 9.900 | 11.775 | 13.613 | 100 | 1-645115-5 |
| | | | 119368-1 | 119368-2 | 6 | 119368-3 | | 119368-4 | 119894-2 | | | 119893-1 | 2 | 119895-3 | 8.400 | 10.275 | 12.113 | 85 | 1-645115-2 |
| OBS. | | | 119368-1 | 119368-2 | 2 | 119368-3 | 2 | 119368-4 | 119894-4 | 119893-2 | 1 | | | 119895-3 | 7.900 | 9.775 | 11.613 | 80 | 1-645115-1 |
| | | | 119368-1 | 119368-2 | 2 | 119368-3 | 2 | 119368-4 | 119894-3 | 119893-2 | 1 | | | 119895-3 | 7.400 | 9.275 | 11.113 | 75 | 1-645115-0 |
| OBS. | | | 119368-1 | 119368-2 | 4 | 119368-3 | | 119368-4 | 119894-2 | | | 119893-1 | 1 | 119895-3 | 6.900 | 8.775 | 10.613 | 70 | 645115-9 |
| OBS. | | | 119368-2 | 119368-1 | 2 | | | 119894-2 | | | | 119893-1 | 1 | 119895-3 | 6.900 | 8.775 | 10.613 | 60 | 645115-7 |
| | | | 119368-2 | 119368-1 | 2 | | | 119894-4 | | | | 119893-1 | 1 | 119895-3 | 6.400 | 8.275 | 10.113 | 55 | 645115-6 |
| OBS. | | | 119368-2 | 119368-1 | 2 | | | 119894-3 | | | | | | 119895-3 | 4.900 | 6.775 | 7.613 | 50 | 645115-5 |
| OBSOLETE | | | 119368-2 | 119368-1 | 2 | | | 119894-2 | | | | | | 119895-3 | 4.400 | 6.275 | 7.113 | 45 | 645115-4 |
| OBS. | | | 119368-2 | 119368-1 | 2 | | | 119894-2 | | | | | | 119895-3 | 3.900 | 5.775 | 6.613 | 40 | 645115-3 |
| OBSOLETE | | | 119368-2 | 119368-1 | 2 | | | 119894-1 | | | | | | 119895-3 | 3.400 | 5.275 | 6.113 | 35 | 645115-2 |
| OBSOLETE | 119366-1 | 119367-1 | 119368-2 | | | 119368-4 | 119894-1 | | | | | | | 119895-1 | 2.900 | 4.775 | 5.613 | 30 | 645115-1 |

| CAM RAIL RIGHT QTY=1 (1) | | CAM RAIL LEFT QTY=1 (9) | | HANDLE QTY=1 (8) | WING QTY=1 (7) | WING QTY=1 (6) | WING QTY=2 (5) | HOUSING QTY=1 (4) | HOUSING QTY=1 (3) | HOUSING QTY=2 (2) | HOUSING QTY=1 (1) | C | B | A | POSN | ASSY NO |
|--|--|-------------------------|--|------------------|----------------|----------------|----------------|-------------------|-------------------|-------------------|-------------------|---|---|---|------|---------|
| UNLESS OTHERWISE SPECIFIED DIMENSIONS ARE IN INCHES TOLERANCES: .010 2 PL DEC # .005 ANGLES # | | | | | | | | | | | | | | | | |
| DR C PIERCE 4/27/87 CHK D.GORENC 5/16/88 APPD D.GORENC 5/16/88 | | | | | | | | | | | | | | | | |
| MATERIAL POLYESTER COLOR: BLACK | | | | | | | | | | | | | | | | |
| FINISH | | | | | | | | | | | | | | | | |
| DR C PIERCE 4/27/87 AMP INCORPORATED Harrisburg, Pa. 17105 | | | | | | | | | | | | | | | | |
| ZIF HOUSING ASSEMBLY .100¢, SIDE ENTRY | | | | | | | | | | | | | | | | |
| SIZE D FSCM NO 00779 DRAWING NO 645115 | | | | | | | | | | | | | | | | |
| SCALE 2:1 SHEET 1 OF 1 | | | | | | | | | | | | | | | | |